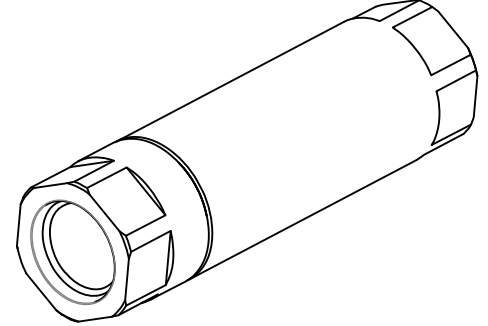
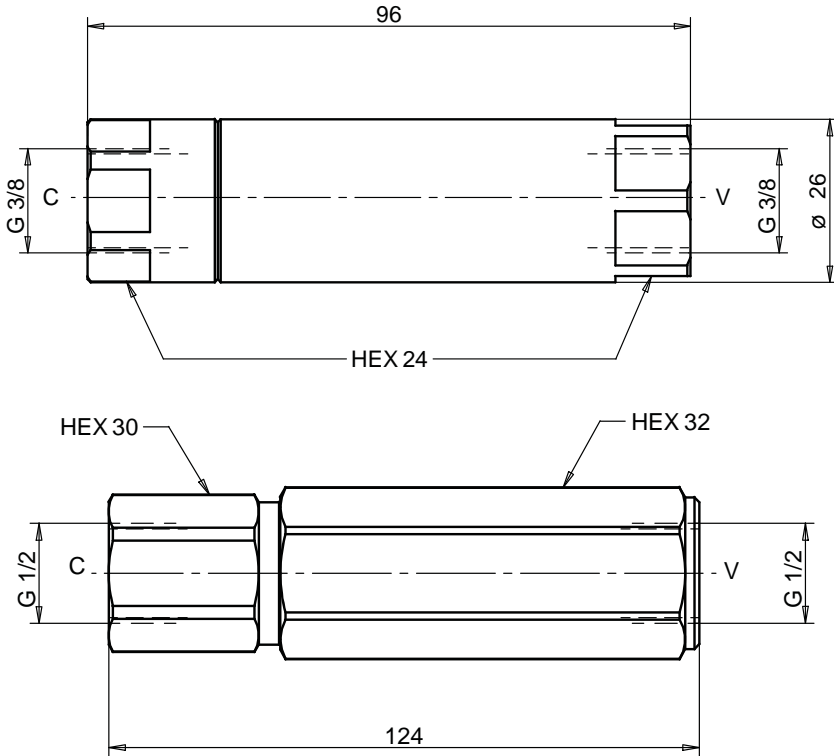
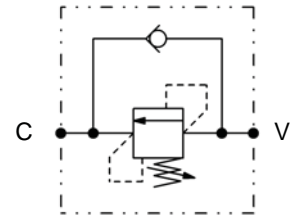


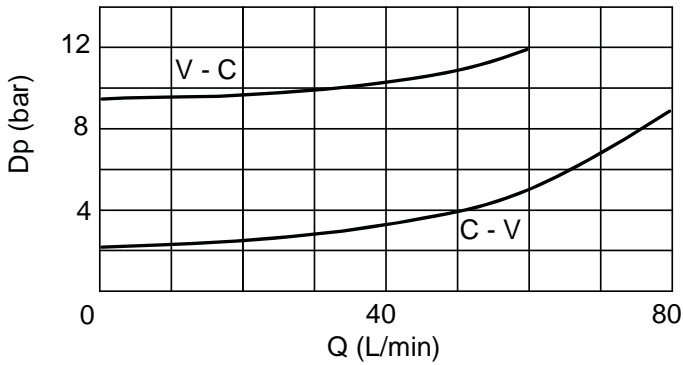
Dimensions



Hydraulic Symbol



Curves

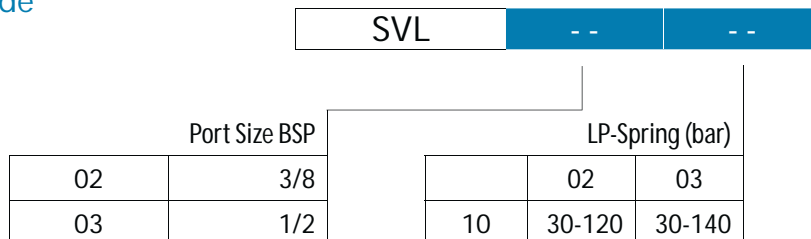


Features

Size	02	03
Max Flow (lpm)	40	80
Max Pressure (bar)	350	350

Materials: Zinc plated steel body, hardened steel inner parts.

Ordering Code



Ordering Code Example: SVL0310 = 1/2 Port Size - 30-140 bar setting range.