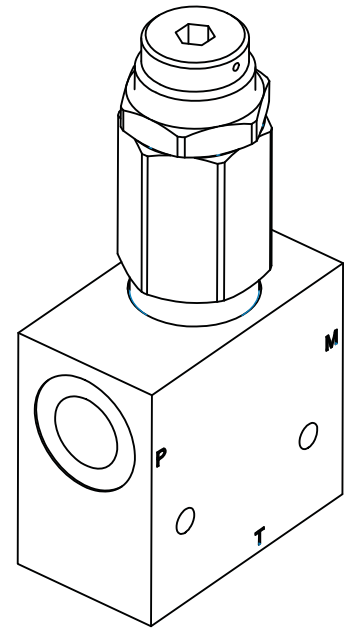
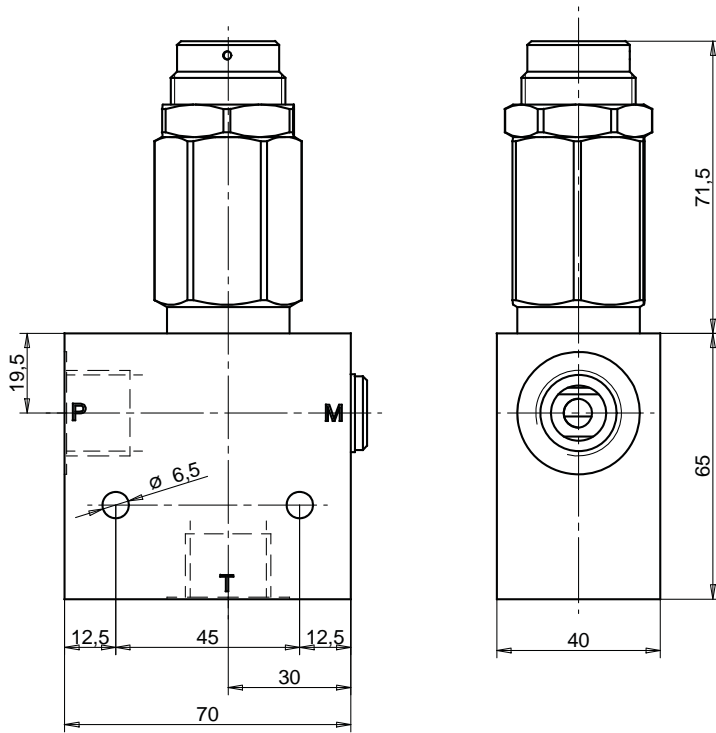
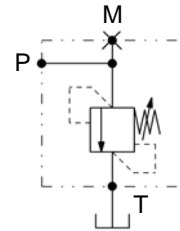


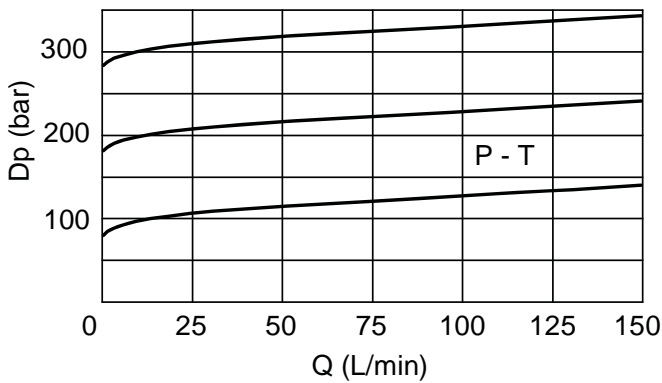
Dimensions



Hydraulic Symbol



Curves



Features

Max Flow	150 lpm
Max Pressure	350 bar

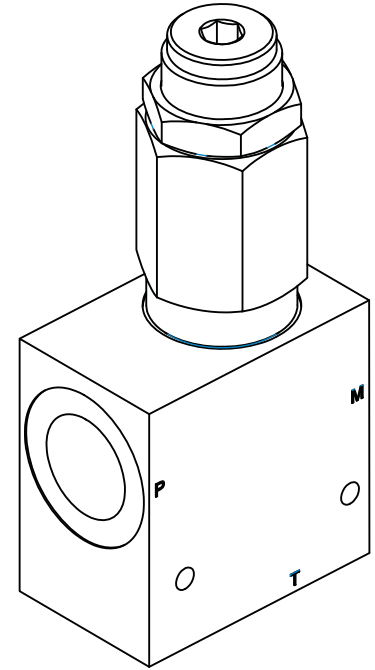
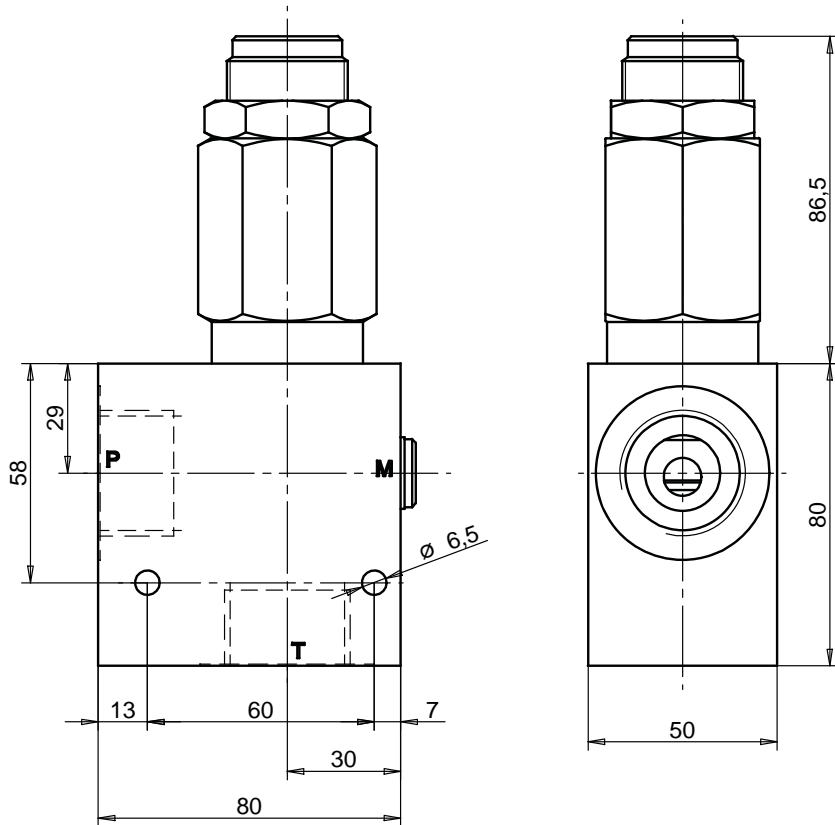
**Materials:** Zinc plated steel cartridge, hardened steel inner parts.  
Aluminium manifold.

Ordering Code

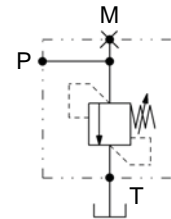
PRCDL 150 -- --

Port Size BSP		Spring (bar)	
03	1/2	30	100-350
04	3/4		

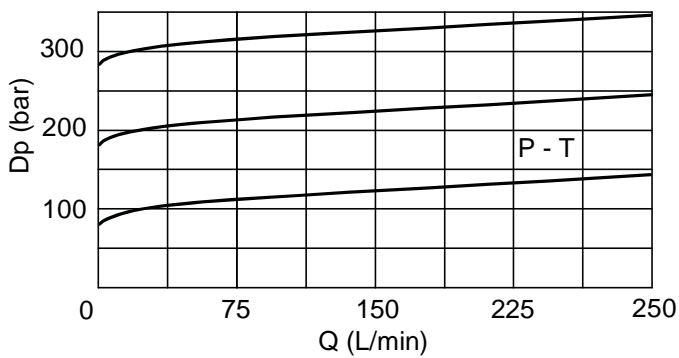
Dimensions



Hydraulic Symbol



Curves



Features

Max Flow	240 lpm
Max Pressure	350 bar
Installation torque	150-160 Nm

**Materials:** Zinc plated steel cartridge, hardened steel inner parts.  
Aluminium manifold.

Ordering Code

PRCDL 250 -- --

Port Size BSP		Spring (bar)	
04	3/4	30	120-350
05	1		