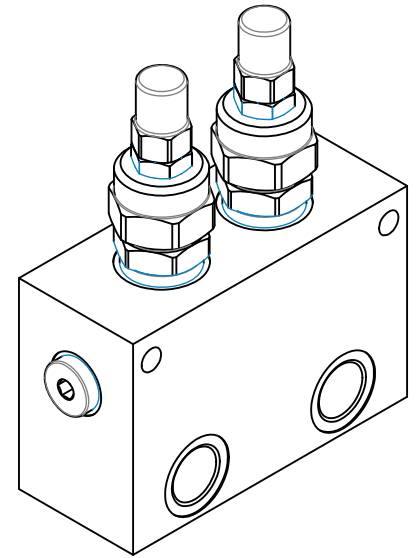
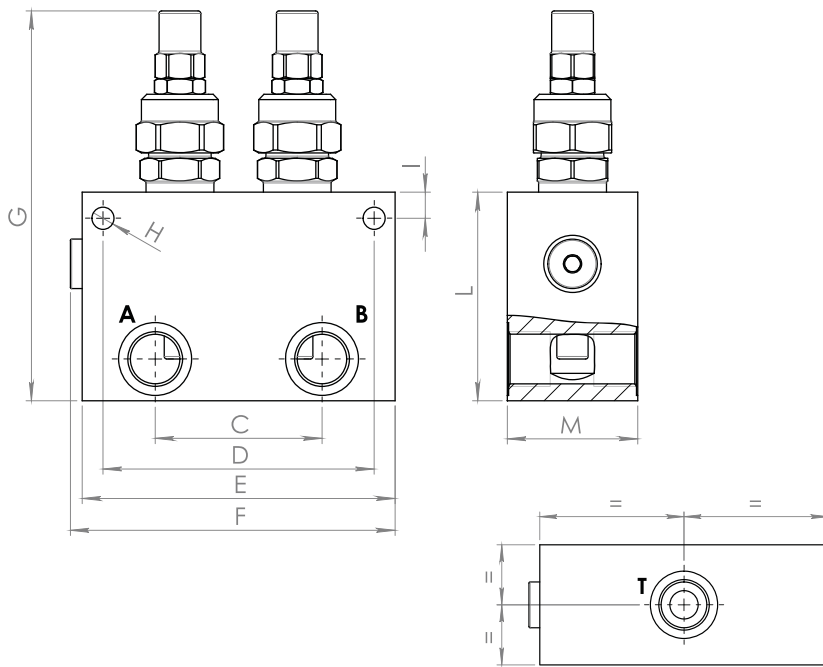
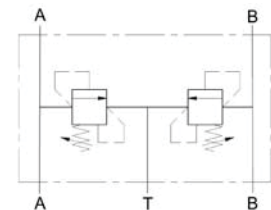


Dimensions

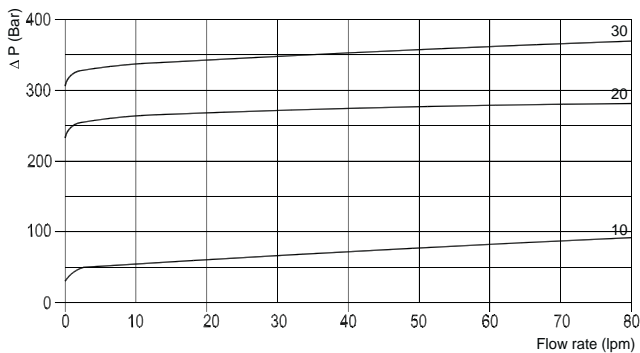


Size	A-B-T	C	D	E	F	G	H	I	L	M	Weight kg
03	1/2	64	104	120	124,5	149,5	8,5	10	80	50	1,78

Hydraulic Symbol



Curves



Features

Rated Flow	80 lpm
Max Pressure	260 bar

Materials: Zinc plated steel cartridge, hardened steel inner parts.
Aluminium manifold.

Ordering Code

DPRSU 80

--

--

-

Port Size BSP

03

1/2

Spring (bar)

10

5-50

20

30-260

30

130-350

Adjustments

A



Socket Screw

C



Tamperproof Cap

Ordering Code Example: DPRSU800320A = 1/2 Port Size - 30-260 bar setting range, Socket screw adjustment.