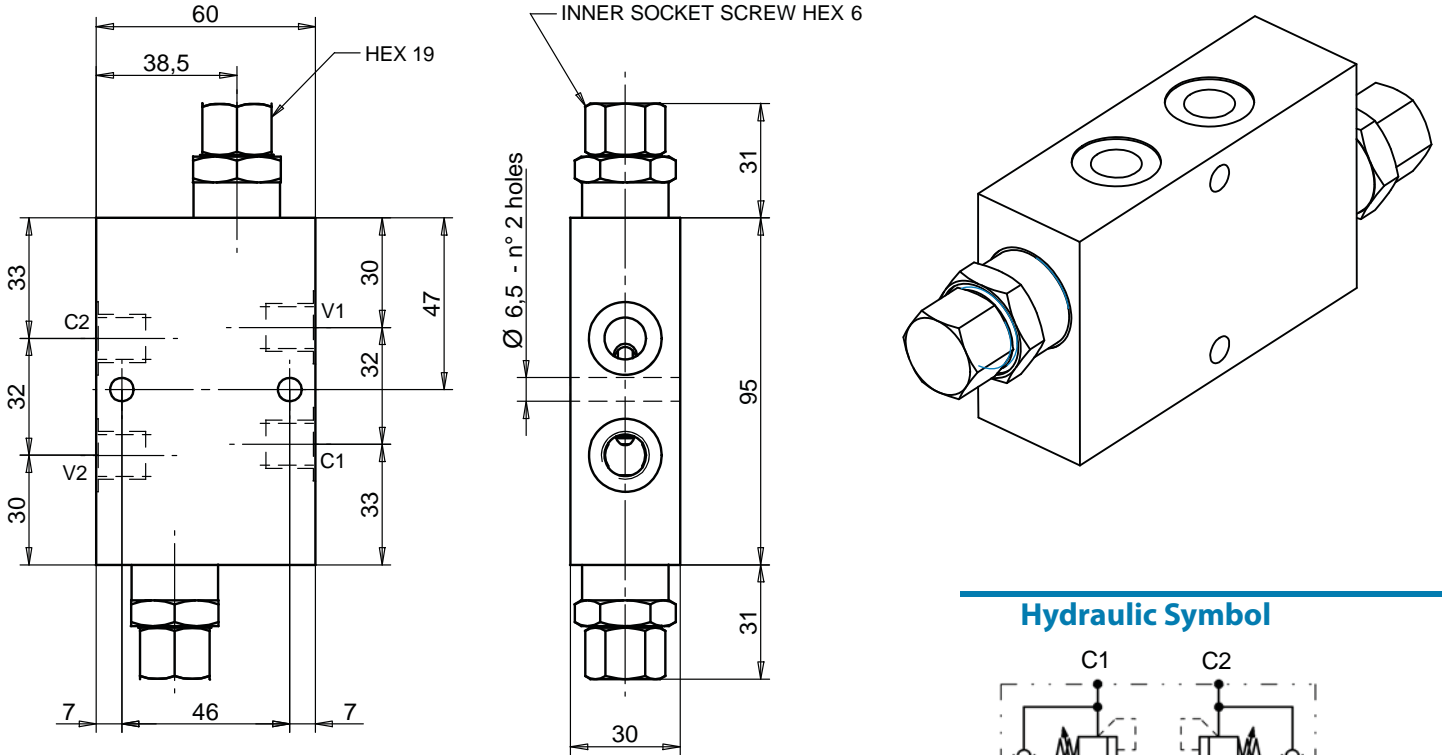
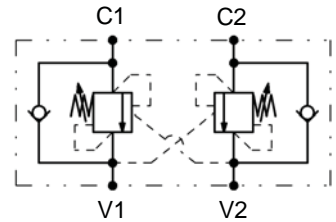


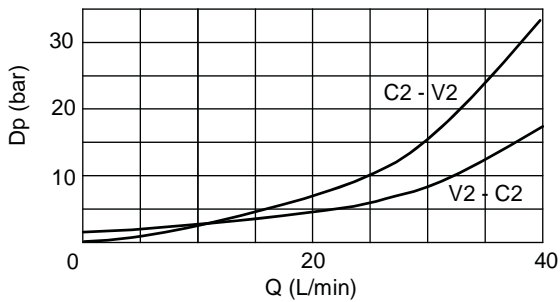
### Dimensions



### Hydraulic Symbol



### Curves



### Features

Max Flow	25 lpm
Max Pressure	350 bar
Pilot Ratio	4:1
Std. Pressure range	50 - 350 bar
Ports	V1-V2: G 1/4 C1-C2: G 1/4

**Materials:** Zinc plated steel cartridge, hardened steel inner parts. Aluminium manifold.

### Ordering Code

**CB40DL 01**