

# Series LVK

## Description

Visual/electric level indicator with temperature controls for both static and mobile applications.

Completely transparent, it provides a view of the fluid over the entire length, both from the front and on both sides.

The quality and thickness, 4 millimetres, of the construction material provides the utmost dependability and mechanical strength without any need for additional protection.

## LVK (Materials)

**1** - Body: Polyamide

**2** - Screws: Nickel Plated Brass (Standard)  
AISI 316 (Option)

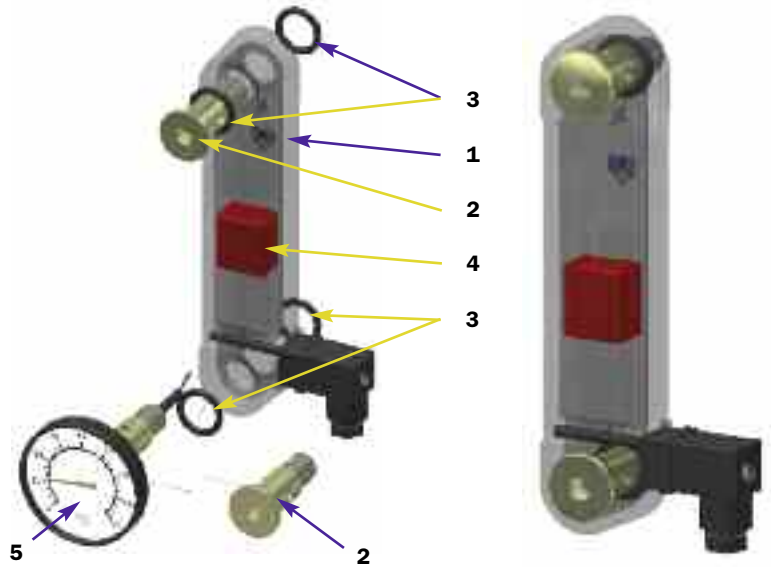
**3** - Seals: NBR (Standard)  
FPM (Option)

**4** - Float: Polyamide

**5** - Sensor thermometer: Screw + thermometer

**Temperatures:** from -20 °C to +80 °C

**Screw tightening torque:** 10Nm

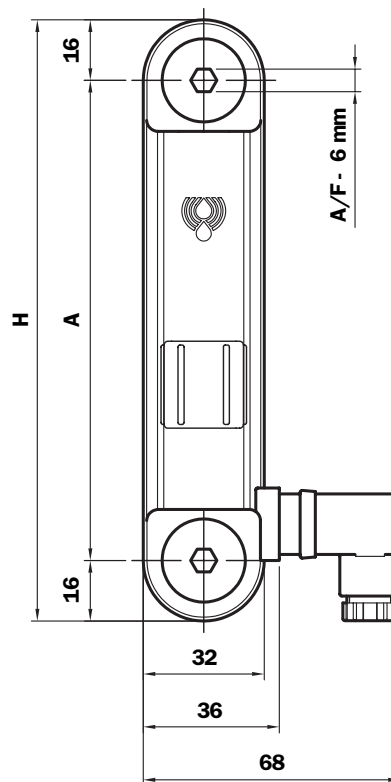
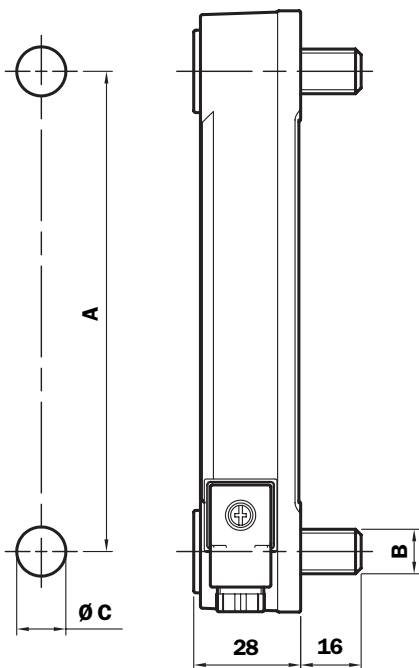


## Compatibility

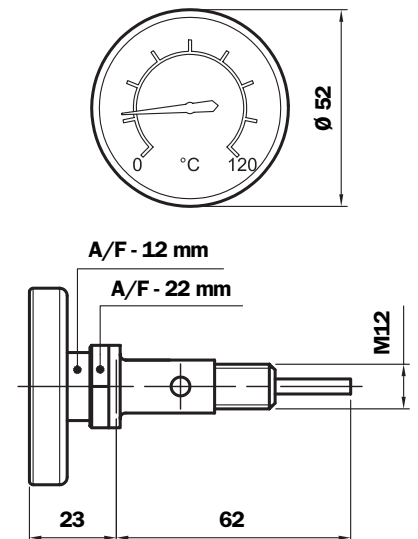
- NBR seals, compatible with:  
Mineral oils to ISO 2943 - aqueous emulsions  
Synthetic fluids, glycol water.
- FPM seals, compatible with:  
Synthetic fluids type HS-HFDR-HFDS-HFDU.

# Dimensions

## Reservoir holes



## Sensor thermometer



## Weight

LVK10: 0,14 Kg

LVK20: 0,17 Kg

LVK30: 0,25 Kg

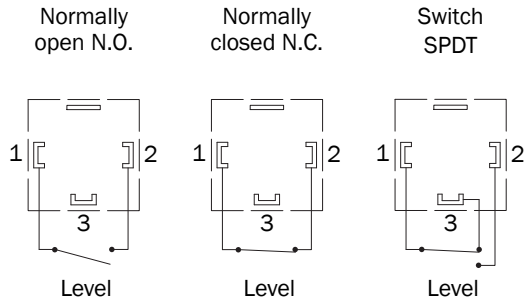
Size	A	H	Type	B	C
<b>LVK10</b>	76	108	<b>LVK.....M10</b>	M10	10,5
<b>LVK20</b>	127	159	<b>LVK.....M12</b>	M12	12,5
<b>LVK30</b>	254	286			

## Weight (Kg)

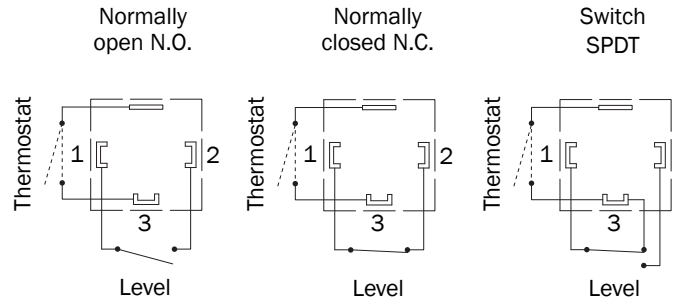
TV12	0,100	Kit Sensor thermometer + Screw M12

## Combination of available electrical contacts

### Electrical contact with no liquid

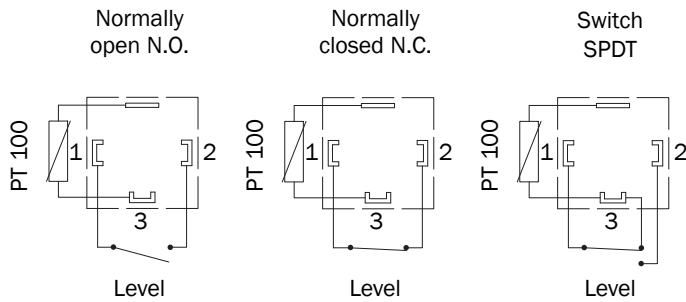


### Electrical contact with no liquid + thermostat

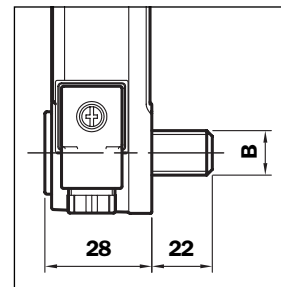


Available thermostated contact N.C. - N.O. in both setups

### Electrical contact with no liquid + PT 100



### Dimension screw + electrical contact + thermostated or PT 100



### Thermostat electrical specifications

Voltage: 250 V Switchable  
 Frequency: 50 Hz  
 Load values: 4.0 A.  $\cos \varphi$  0.6 (IMOT)  
 6,3 A.  $\cos \varphi$  1 (IN)  
 Max load: 10 A.  $\cos \varphi$  1  
 Switching temperature: 50°C - 60°C - 70°C  
 Tolerances:  $\pm 5^\circ\text{C}$

### Electrical specifications

Contact with no liquid

	N.O. N.C.	Switch
D.C. Switchable Power	40 W	20 W
D.C. current intensity - A.C.	40 V.A.	-
Switchable voltage.	2 A	1 A
Voltage switchable	230 V	150 V

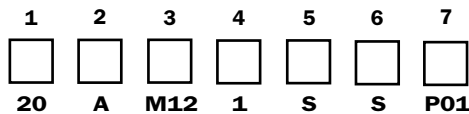
Protection degree: IP65

## Ordering information

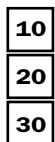
### Level indicator

#### LVK

Example: LVK



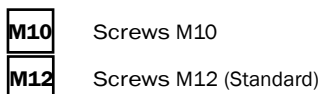
#### 1 - Size



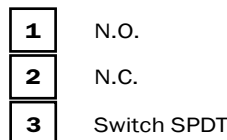
#### 2 - Seal



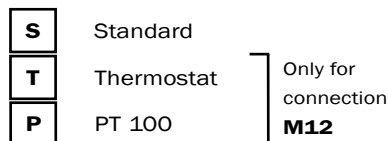
#### 3 - Connection



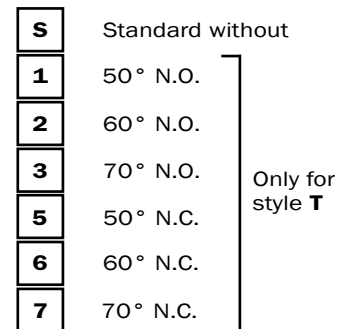
#### 4 - Electrical contacts with no liquid



#### 5 - Style



#### 6 - Thermostat



#### 8 - Options



### Accessories/Options\*

TV12	Kit w/ Sensor thermometer Screw M12	M12 X	Kit w/ Screws M12 stainless steel AISI 316
M10 X	Kit w/ Screws M10 stainless steel AISI 316	02050432	Kit w/ FPM seals

\* All the accessories are supplied separately from code LVK