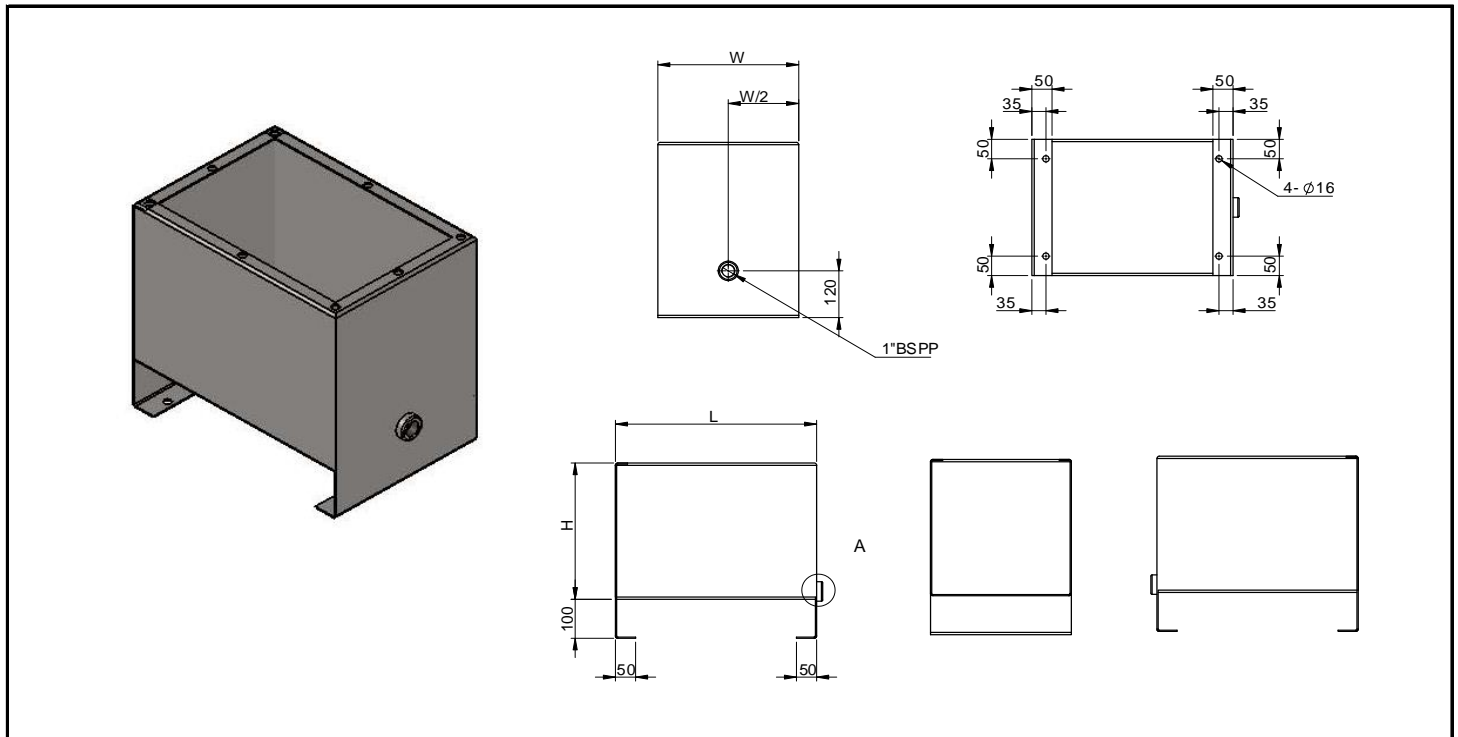


Tanks

Steel Industrial Tanks

Part Number	Useable Litres	Volume	L	W	H	
IT-40	40 Litres	60 Litres	500	350	350	Can be ordered powder coated or raw.
IT-70	70 Litres	100 Litres	600	425	400	
IT-120	120 Litres	165 Litres	700	500	475	
IT-200	200 Litres	260 Litres	800	600	550	
IT-300	300 Litres	380 Litres	900	700	600	
IT-400	400 Litres	500 Litres	900	700	800	



Tank Lid Gaskets

Part Number	Material	Size
ITG-40	Neoprene	To Suit 40 Litre Tank
ITG-70		To Suit 70 Litre Tank
ITG-120		To Suit 120 Litre Tank
ITG-200		To Suit 200 Litre Tank
ITG-300		To Suit 300 & 400 Litre Tank

Tanks

Tank Lids Uncoated and Uncut

Part Number	Description
ITL-40	Lid for 40 Litre Tanks - Uncoated and Lid Bolt Holes Only
ITL-70	Lid for 70 Litre Tanks - Uncoated and Lid Bolt Holes Only
ITL-120	Lid for 120 Litre Tanks - Uncoated and Lid Bolt Holes Only
ITL-200	Lid for 200 Litre Tanks - Uncoated and Lid Bolt Holes Only
ITL-300	Lid for 300 & 400 Litre Tanks - Uncoated and Lid Bolt Holes Only

Tank Lids Coated and Cut

Part Number	Tank Size	Motor Size	Breather	Filter	Manifold
ITL-40-71-M3	40 Litre	D71	FB3	FIF-04	P&T or Single CT3 Valve
ITL-40-71-S3					2-6 Cetop 3 Valves
ITL-40-90-M3		D80-90			P&T or Single CT3 Valve
ITL-40-90-S3					2-6 Cetop 3 Valves
ITL-40-100-M3		D100-112			P&T or Single CT3 Valve
ITL-40-100-S3					2-6 Cetop 3 Valves
ITL-70-90-M3	70 Litre	D80-90	FB6	FIF-06/08	P&T or Single CT3 Valve
ITL-70-90-S3					2-6 Cetop 3 Valves
ITL-70-100-M3		D100-112			P&T or Single CT3 Valve
ITL-70-100-S3					2-6 Cetop 3 Valves
ITL-70-132-M3		D132			P&T or Single CT3 Valve
ITL-70-132-S3					2-6 Cetop 3 Valves
ITL-120-100-M3	120 Litre	D100-112	FB6	FIF-06/08	P&T or Single CT3 Valve
ITL-120-100-S3					2-6 Cetop 3 Valves
ITL-120-132-M3		D132			P&T or Single CT3 Valve
ITL-120-132-S3					2-6 Cetop 3 Valves
ITL-120-160-M5		D160-180		FIF-10	P&T or Single CT5 Valve
ITL-120-160-S5					2-6 Cetop 5 Valves
ITL-200-132-M5	200 Litre	D132	FB6	FIF-10	P&T or Single CT5 Valve
ITL-200-132-S5					2-6 Cetop 5 Valves
ITL-200-160-M5		D160-180			P&T or Single CT5 Valve
ITL-200-160-S5					2-6 Cetop 5 Valves
ITL-300-160-M5	300-400 Litre	D160-180	FB6	FIF-10	P&T or Single CT5 Valve
ITL-300-160-S5					2-6 Cetop 5 Valves

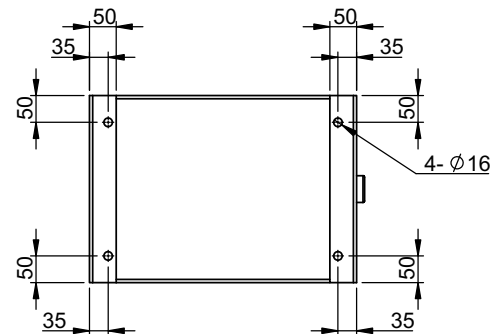
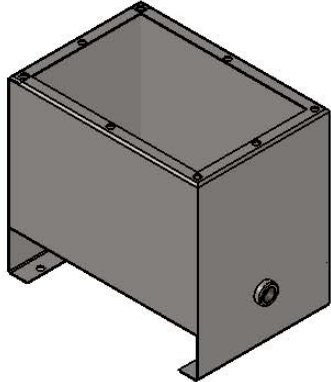
<<<< CUSTOMER APPROVAL >>>>

THIS DRAWING IS BEING SUBMITTED FOR YOUR APPROVAL OF THIS DESIGN ON YOUR APPLICATION AND REQUIREMENTS.

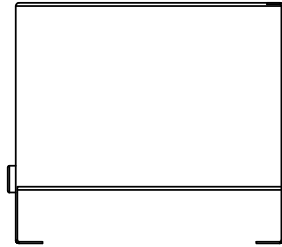
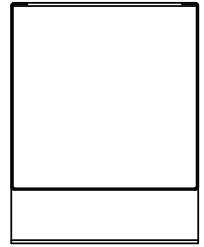
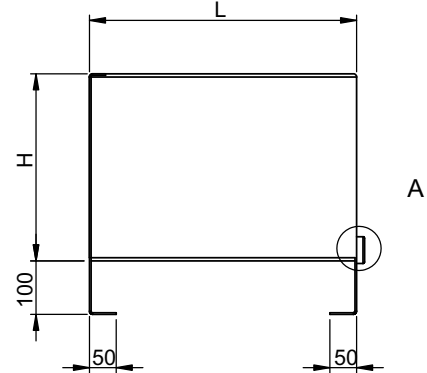
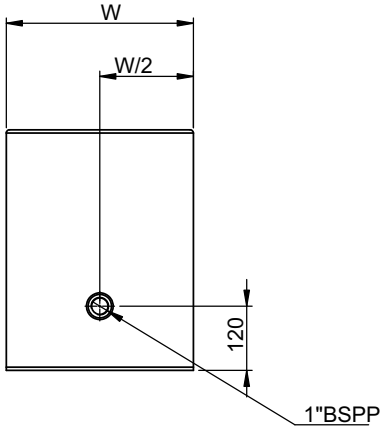
A SIGNATURE IS REQUIRED BEFORE AN ORDER CAN BE PROCESSED.

APPROVED BY _____ APPROVAL DATE ____/____/____

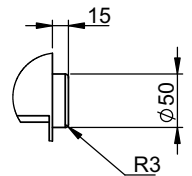
REV	DESCRIPTION	DATE	SIGNATURE	CHECKED
001	001	00/00/00	XXX	XXX
002	002	00/00/00	XXX	XXX
003	003	00/00/00	XXX	XXX



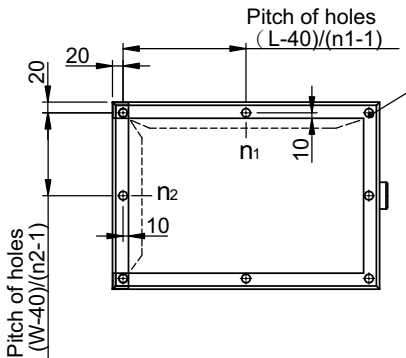
Tank No	Volume (L)	Usable L(L)	L (mm)	W(mm)	H(mm)	Mounting Holes	
						n1	n2
IT-40	60	40	500	350	350	3	3
IT-70	100	70	600	425	400	4	3
IT-120	165	120	700	500	475	4	3
IT-200	260	200	800	600	550	4	4
IT-300	380	300	900	700	600	5	4
IT-400	500	400	900	700	800	5	4



3mm Black Steel
Phosphate treatment, Apply anti-rust oil



局部视图
比例: 5



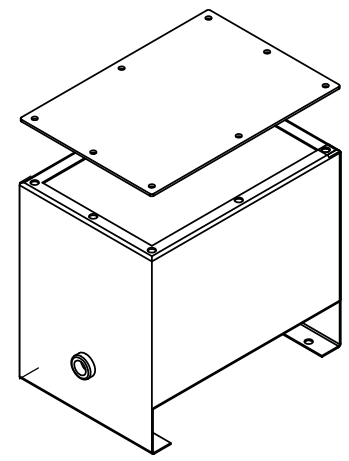
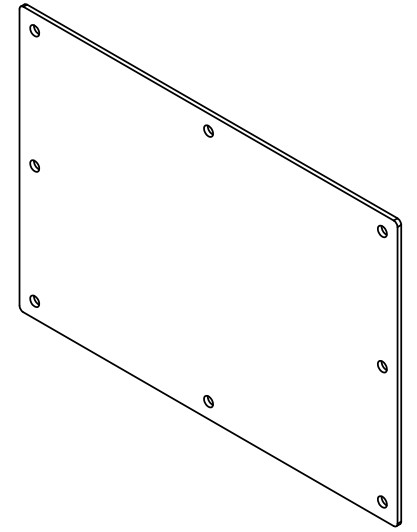
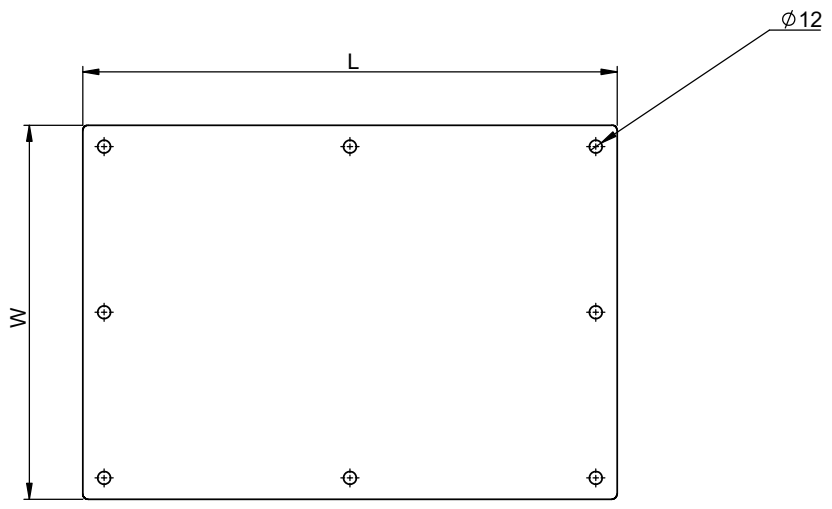
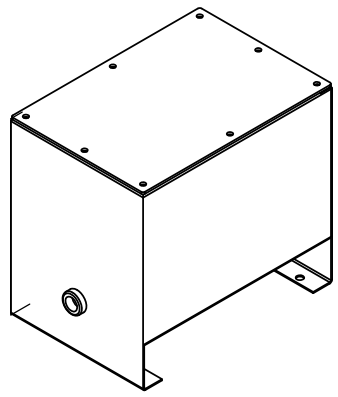
DESIGNED BY	CHECKED BY	APPROVAL DATE.
REFER TO		
CUSTOMER	FILE NAME	SCALE 1:1
IPU-Tank		REVISION A0 SHEET 1/1

<<<< CUSTOMER APPROVAL >>>>

THIS DRAWING IS BEING SUBMITTED FOR YOUR APPROVAL OF THIS DESIGN ON YOUR APPLICATION AND REQUIREMENTS.
A SIGNATURE IS REQUIRED BEFORE AN ORDER CAN BE PROCESSED.

APPROVED BY _____ APPROVAL DATE ____/____/____

REV	DESCRIPTION	DATE	SIGNATURE	CHECKED
XXX	XXX	00/00/00	XXX	XXX
XXX	XXX	00/00/00	XXX	XXX
XXX	XXX	00/00/00	XXX	XXX



Tank No	Lid No	Lid Thickness(mm)	Tank Weight (kg)	Cap Weight(kg)	Total Weight(kg)
IT-40	IG-40	5	21.2	6.8	28
IT-70	IG-70	5	28	8.2	36.2
IT-120	IG-120	5	39.3	13.6	52.9
IT-200	IG-200	5	52.6	18.6	71.2
IT-300	IG-300	6	65.9	29.4	95.3
IT-400	IG-400	6	80.8	29.4	110.2

Phosphate treatment, Apply anti-rust oil

DESIGNED_BY			CHECKED_BY		APPROVAL DATE.	
CUSTOMER			REFER TO		SCALE	
			FILE NAME		1:1	
			XXX			
IPU-G				REVISION		SHEET
				A0		1 / 1

