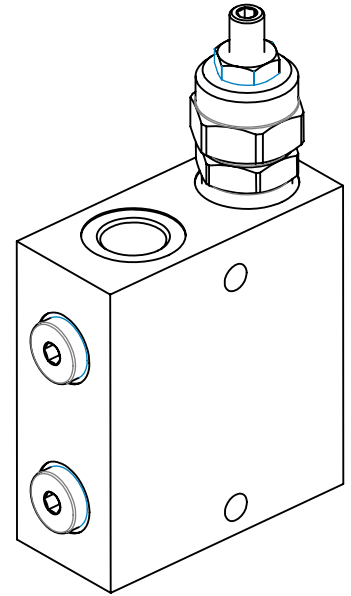
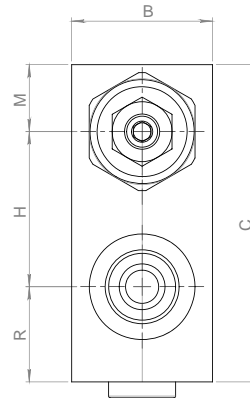
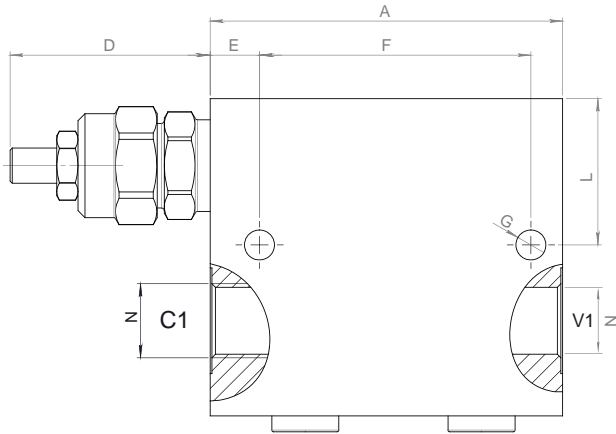
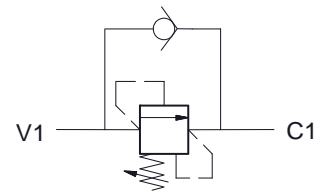


### Dimensions

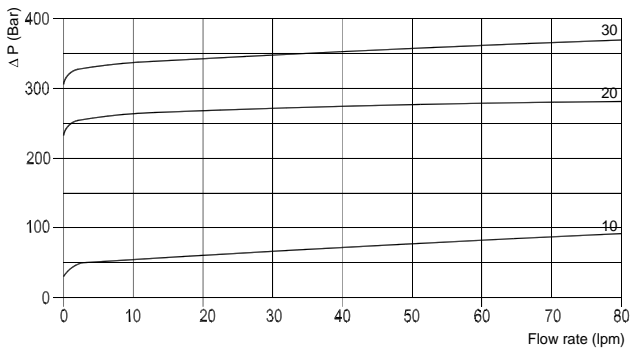


Size	A	B	C	D max	E	F	G	H	L	N BSP	M	R	Weight kg
03	100	40	90	57	14	77	8,5	44	41,5	1/2	19	27	1,2
04	100	40	90	57	14	77	8,5	44	41,5	3/4	19	27	1,16

### Hydraulic Symbol



### Curves



### Features

Rated Flow (lpm)	80
Max Pressure (bar)	260

**Materials:** Zinc plated steel cartridge, hardened steel inner parts.  
Aluminium manifold.

### Ordering Code

**SV 80**    --    --    -

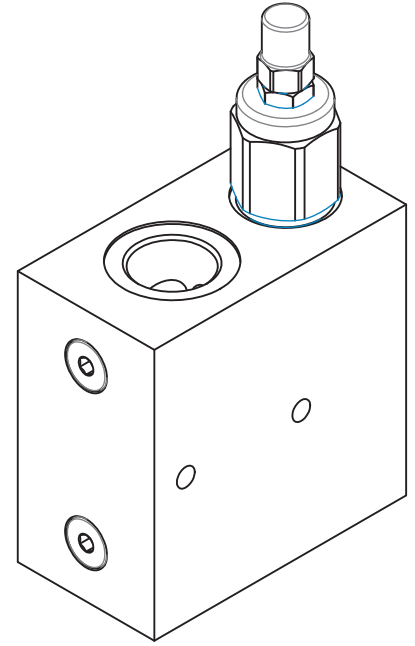
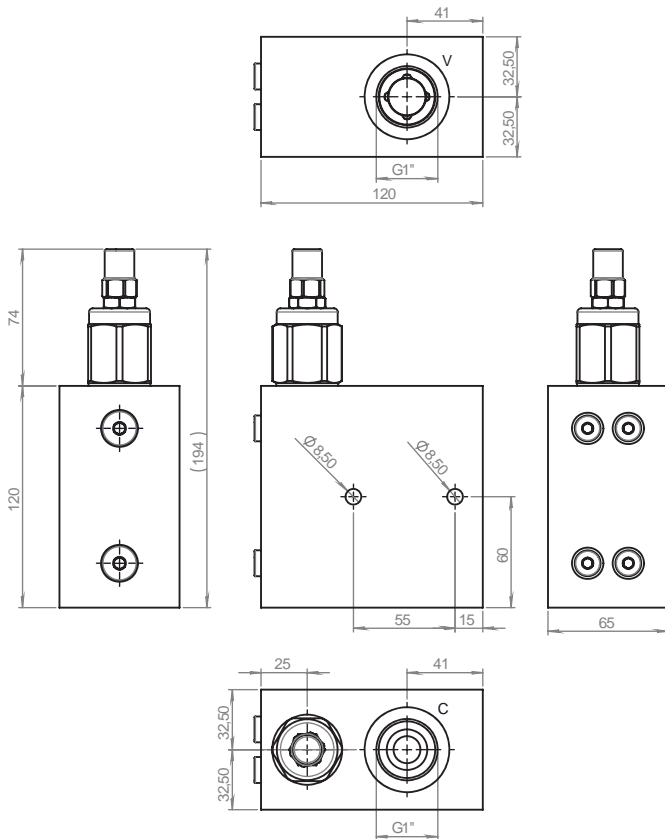
Port Size BSP		Spring (bar)	
03	1/2	10	5-50
04	3/4	20	30-260
		30	130-350

### Adjustments

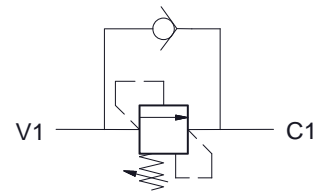
A		Socket Screw
B		Handknob
C		Tamperproof Cap

**Ordering Code Example:** SV800320A = 1/2 Port Size - 30-260 bar setting range, Socket screw adjustment.

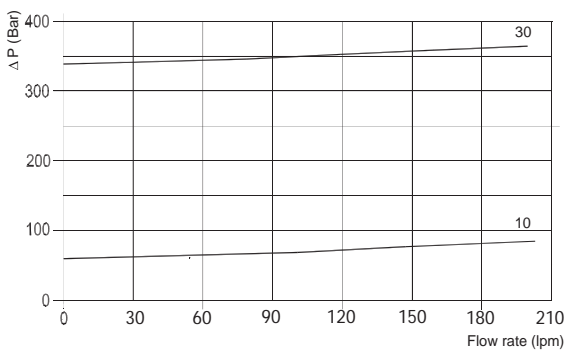
### Dimensions



### Hydraulic Symbol



### Curves



### Features

Rated Flow (lpm)	200
Max Pressure (bar)	260

**Materials:** Zinc plated steel cartridge, hardened steel inner parts.  
Aluminium manifold.

### Ordering Code

SV150		--	--	--
Port Size BSP		Spring (bar)		Adjustments
05	1	10	5-120	A  Socket Screw
		30	50-350	B  Handknob
				C  Tamperproof Cap

**Ordering Code Example:** SV1500530A = 1" Port Size - 50-350 bar setting range, Socket screw adjustment.