

直流液压动力单元 DC Hydraulic Power Unit

此系列产品均由直流供电，150W-3kW，DC12V, 24V等，流量最大到12LPM，压力最高可达到35 MPa，有多种液压油路功能可供客户选择。次样本中仅列出了基本型和一些客户常用的功能油路，供您了解和初步选型之用。

03D系列	第 3页
05D系列	第 4 页
08D系列	第 5页
12D系列	第 6 页
16D系列	第 7 页
20D系列	第 8页
25D系列	第 9页
30D系列	第 10页



03D系列 - 额定功率350W (Group 03D - Rated Power 350W)

额定流量 Flow Rate (LPM)	0.68	1.06	1.34	1.59	2.13	3.19	4.25
额定压力 Working Pressure (MPa)	20	14	11	9.5	7	4.5	3.5

05D系列 - 额定功率500W (Group 05D - Rated Power 500W)

额定流量 Flow Rate (LPM)	1.06	1.34	1.59	2.13	3.19	4.25
额定压力 Working Pressure (MPa)	20	16	13.5	10	6.5	5

08D系列 - 额定功率800W (Group 08D - Rated Power 800W)

额定流量 Flow Rate (LPM)	1.59	2.13	3.19	4.25
额定压力 Working Pressure (MPa)	20	16	10.5	8

12D系列 - 额定功率1200W (Group 12D - Rated Power 1200W)

额定流量 Flow Rate (LPM)	2.21	2.72	3.06	3.57	4.59	5.44	6.29	7.14	8.16	9.86
额定压力 Working Pressure (MPa)	23	19	17	14.5	11	9.5	8	7	6	5

16D系列 - 额定功率350W (Group 16D - Rated Power 1600W)

额定流量 Flow Rate (LPM)	3.06	3.57	4.59	5.44	6.29	7.14	8.16	9.86	11.9	13.6
额定压力 Working Pressure (MPa)	23	19	15	12.5	11	9.5	8.5	7	5.5	5

20D系列 - 额定功率2000W (Group 20D - Rated Power 2000W)

额定流量 Flow Rate (LPM)	3.57	4.59	5.44	6.29	7.14	8.16	9.86	11.9	13.6
额定压力 Working Pressure (MPa)	23	18.5	16	13.5	12	10.5	8.5	7	6

25D系列 - 额定功率2500W (Group 25D - Rated Power 2500W)

额定流量 Flow Rate (LPM)	3.4	4.46	4.59	5.44	6.29	7.14	8.16	9.86
额定压力 Working Pressure (MPa)	23	23	23	20	17	15	13	11

30D系列 - 额定功率2500W (Group 30D - Rated Power 3000W)

额定流量 Flow Rate (LPM)	3.4	4.46	4.59	5.44	6.29	7.14	8.16	9.86
额定压力 Working Pressure (MPa)	23	23	23	20	17	15	13	11

03D

直流液压动力单元 DC Hydraulic Power Unit

常用配置 Typical configuration

齿轮泵排量 Pump Displacement	(ml/rev)	0.26ml	0.38ml	0.5ml
额定流量 Flow Rate @100Bar (1500psi)	LPM	0.68	1.06	1.34
	GPM	0.18	0.28	0.35
额定工作压力 Operating Pressure	BAR	200	140	110
	PSI	3000	2000	1600

Example
03D31-001
Circuit #31



特性：

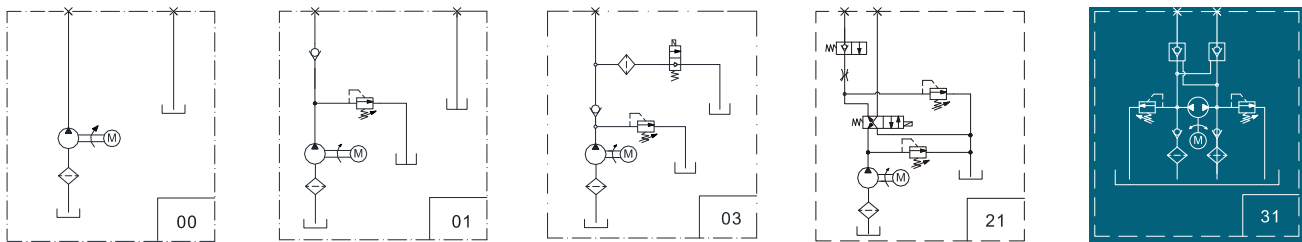
- 额定功率: 350W
- 额定电压: DC 12 or 24V
- 齿轮泵排量范围: 0.26 - 0.5ml/Rev
- 额定流量范围: 0.5 - 1.2LPM (0.17 - 0.32GPM)
- 最大额定工作压力: 200Bar (3000PSI)

Specifications :

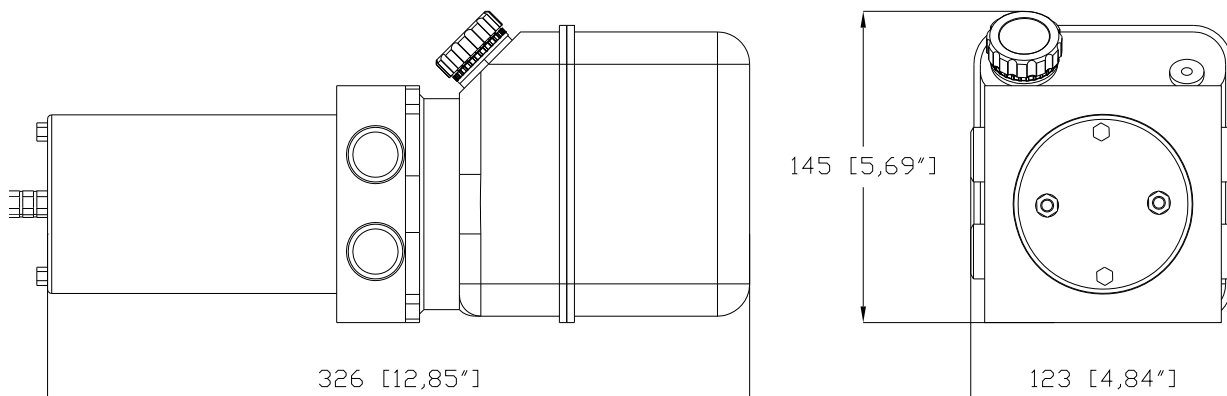
- Rated Power: 350W
- Rated Voltage: DC 12 or 24V
- Gear Pump Disp. : 0.26 - 0.5ml/Rev
- Flow Rate: 0.5 - 1.2LPM (0.17 - 0.32GPM)
- Maximum Operating Pressure: 200Bar (3000PSI)

常用油路 (更多油路选择请参看第35-37页或咨询我司)

Typical Circuits (for more circuit options, please refer to page 35-37 or consult us)



典型外形尺寸 Typical Outline Dimension



05D

直流液压动力单元 DC Hydraulic Power Unit

常用配置 Typical configuration

齿轮泵排量 Pump Displacement	(ml/rev)	0.38ml	0.5ml	0.75ml
额定流量 Flow Rate @100Bar(1500psi)	LPM	1.06	1.34	2.0
	GPM	0.28	0.35	0.53
额定工作压力 Operating Pressure	BAR	200	160	90
	PSI	3000	2300	1300



Example
P/N: 05D21-001
Circuit #21

特性：

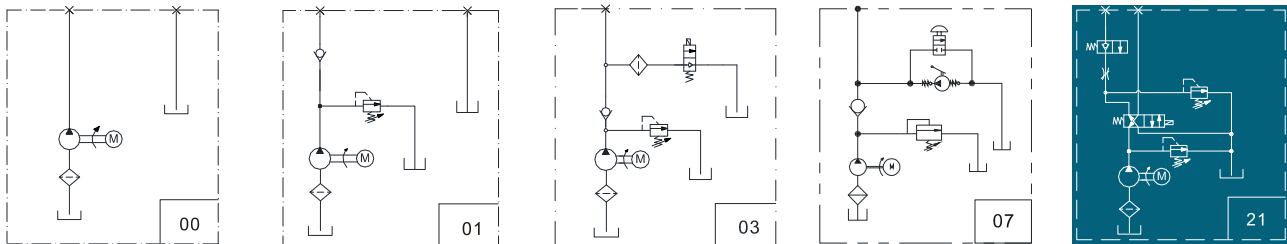
- 额定功率: 500W
- 额定电压: DC 12 or 24V
- 齿轮泵排量范围: 0.26 - 0.75ml/Rev
- 额定流量范围: 1 - 2.8LPM (0.26 - 0.74GPM)
- 最大额定工作压力: 200Bar (3000PSI)

Specifications :

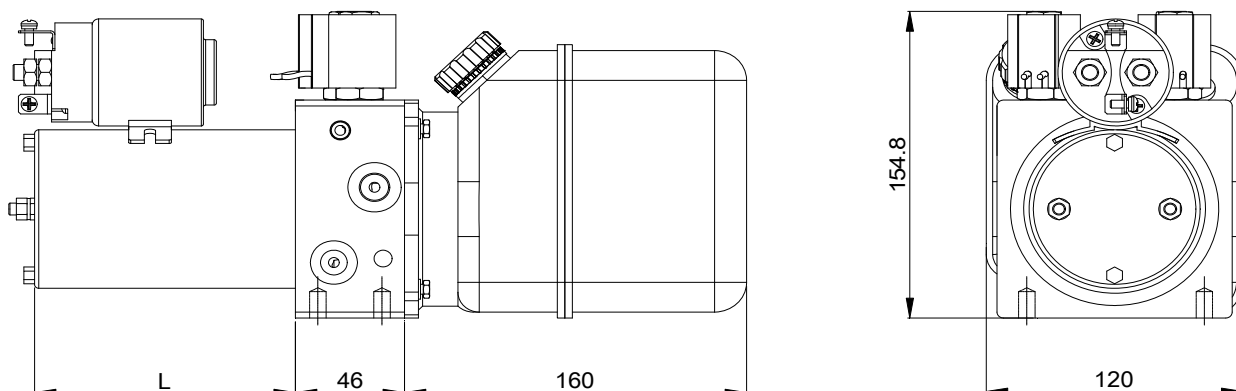
- Rated Power: 500W
- Rated Voltage: DC 12 or 24V
- Gear Pump Disp. : 0.26 - 0.75ml/Rev
- Flow Rate: 1 - 2.8LPM (0.26 - 0.74GPM)
- Maximum Operating Pressure: 200Bar (3000PSI)

常用油路 (更多油路选择请参看第35-37页或咨询我司)

Typical Circuits (for more circuit options, please refer to page 35-37 or consult us)



典型外形尺寸 Typical Outline Dimension



08D

直流液压动力单元 DC Hydraulic Power Unit

常用配置 Typical configuration

齿轮泵排量 Pump Displacement	(ml/rev)	0.88ml	1ml	1.25ml	1.5ml
额定流量 Flow Rate @100Bar (1500psi)	LPM	2.13	2.5	3.19	4.25
	GPM	0.56	0.66	0.84	1.12
额定工作压力 Operating Pressure	BAR	200	170	100	80
	PSI	3000	2500	1450	1200



Example
P/N: 08D21-001
Circuit #21

特性 :

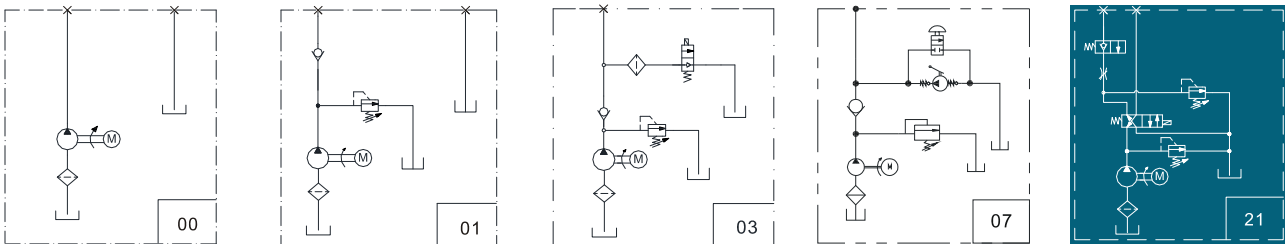
- 额定输入功率: 800W
- 额定电压: DC 12 or 24V
- 齿轮泵排量范围: 0.88 - 1.5ml/Rev
- 额定流量范围: 2.3 - 3.6LPM (0.61 - 0.95GPM)
- 最大额定工作压力: 200Bar (3000PSI)

Specifications :

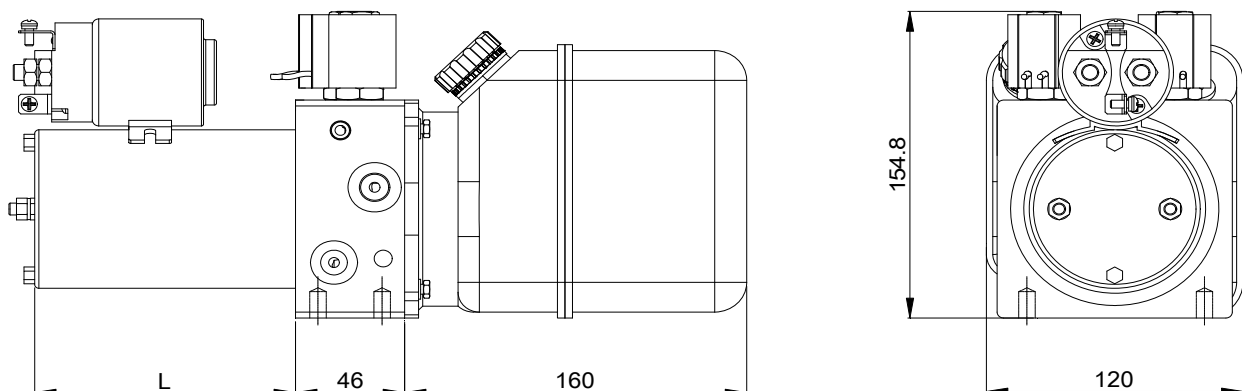
- Rated Input Power: 800W
- Rated Voltage: DC 12 or 24V
- Gear Pump Disp. : 0.19 - 2ml/Rev
- Flow Rate: 2.3 - 3.6LPM (0.61 - 0.95GPM)
- Maximum Operating Pressure: 200Bar (3000PSI)

常用油路 (更多油路选择请参看第35-37页或咨询我司)

Typical Circuits (for more circuit options, please refer to page 35-37 or consult us)



典型外形尺寸 Typical Outline Dimension



12D

直流液压动力单元 DC Hydraulic Power Unit

常用配置 Typical configuration

齿轮泵排量 Pump Displacement	(ml/rev)	0.8ml	1.1ml	1.3ml	1.6ml	2.1ml
额定流量 Flow Rate @100Bar (1500psi)	LPM	2.7	3.1	4.6	5.4	6.3
	GPM	0.71	0.82	1.22	1.43	1.67
最大工作压力 Max. Operating Pressure	BAR	200	170	110	95	80
	PSI	3000	2500	1600	1400	1200



示例型号 Example
P/N: 12D35-001
Circuit #03

特性：

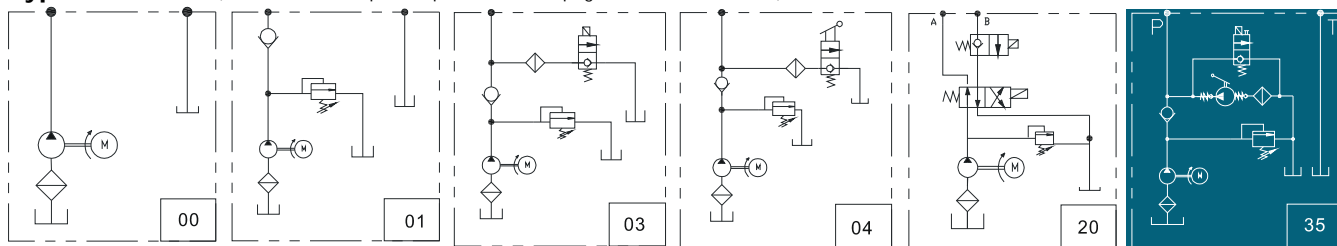
- 额定输入功率: 1200W
- 额定电压: DC 12 or 24V
- 齿轮泵排量范围: 0.8 - 2.1ml/Rev
- 额定流量范围: 3.2 - 6.5LPM (0.85 - 1.7GPM)
- 最大额定工作压力: 207Bar (3000PSI)

Specifications :

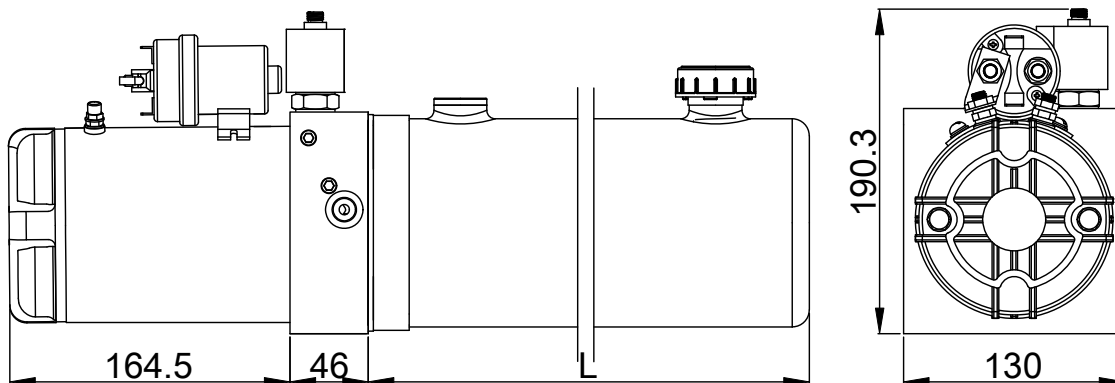
- Rated Input Power: 1200W
- Rated Voltage: DC 12 or 24V
- Gear Pump Disp. : 0.8 - 2.1ml/Rev
- Flow Rate: 3.2 - 6.5LPM (0.85 - 1.7GPM)
- Maximum Operating Pressure: 207Bar (3000PSI)

常用油路 (更多油路选择请参看第35-37页或咨询我司)

Typical Circuits (for more circuit options, please refer to page 35-37 or consult us)



典型外形尺寸 Typical Outline Dimension



16D

直流液压动力单元 DC Hydraulic Power Unit

常用配置 Typical configuration

齿轮泵排量 Pump Displacement	(ml/rev)	1.1ml	1.6ml	2.1ml	2.7ml	3.2ml
额定流量 Flow Rate @100Bar (1500psi)	LPM	3.3	4.6	5.6	7.1	8.2
	GPM	0.87	1.22	1.48	1.88	2.17
最大工作压力 Max. Operating Pressure	BAR	200	150	130	120	100
	PSI	3000	2200	1900	1700	1450



示例型号 Example
16D20-006
Circuit #20

特性：

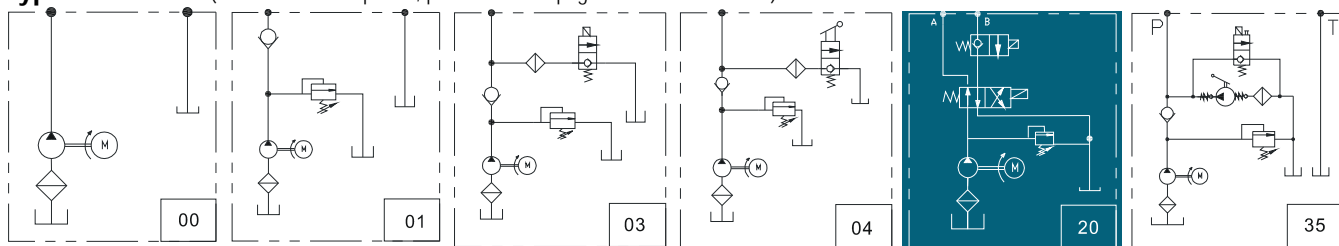
- 额定输入功率: 1600W
- 额定电压: DC 12 or 24V
- 齿轮泵排量范围: 1.1-3.2ml/Rev
- 额定流量范围: 3.3-8.3LPM(0.87-2.2GPM)
- 最大额定工作压力: 300Bar (4350PSI)

Specifications :

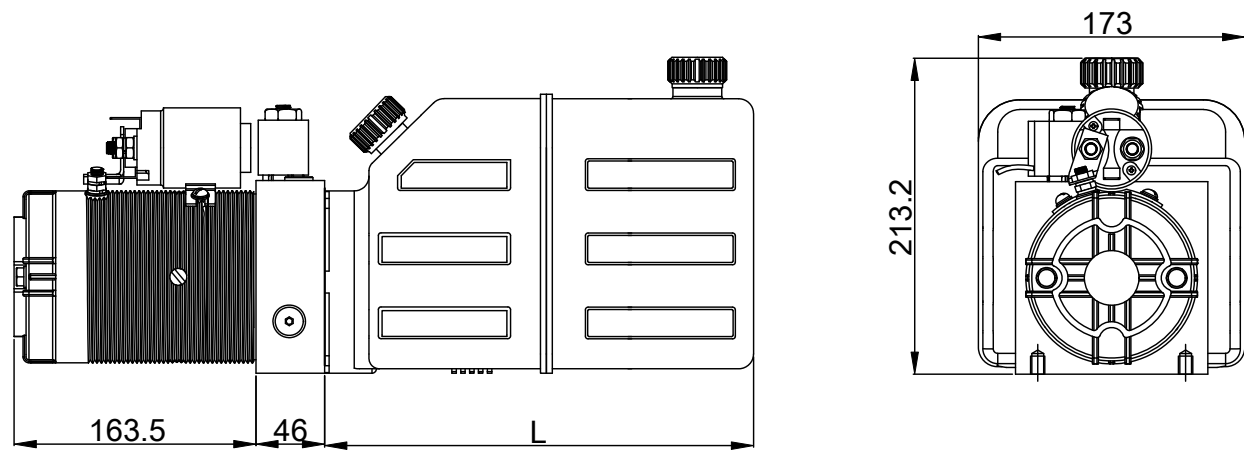
- Rated Input Power: 1600W
- Rated Voltage: DC 12 or 24V
- Gear Pump Disp. : 1.1-3.2ml/Rev
- Flow Rate: 3.3-8.3LPM(0.87-2.2GPM)
- Maximum Operating Pressure: 300Bar (4350PSI)

常用油路 (更多油路选择请参看第35-37页或咨询我司)

Typical Circuits (for more circuit options, please refer to page 35-37 or consult us)



典型外形尺寸 Typical Outline Dimension



20D

直流液压动力单元 DC Hydraulic Power Unit

常用配置 Typical configuration

齿轮泵排量 Pump Displacement	(ml/rev)	1.3ml	2.1ml	2.7ml	3.2ml	4.2ml
额定流量 Flow Rate @100Bar(1500psi)	LPM	4.2	6.3	8.2	9.8	11.9
	GPM	1.11	1.67	2.17	2.59	3.15
额定工作压力 Operating Pressure	BAR	200	135	105	85	70
	PSI	3000	2000	1500	1250	1000



示例图片 Example
20D66-002

特性：

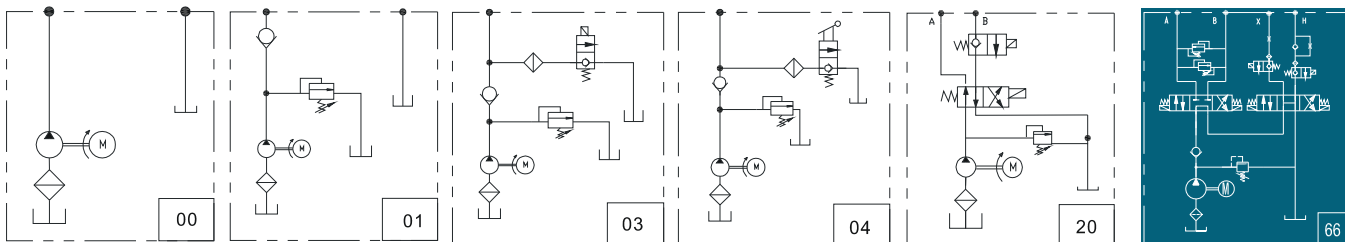
- 额定输入功率: 2000W
- 额定电压: DC 12 or 24V
- 齿轮泵排量范围: 1.3-4.2ml/Rev
- 额定流量范围: 4.2-10.5LPM(1.1-2.8GPM)
- 最大额定工作压力: 300Bar (4350PSI)

Specifications :

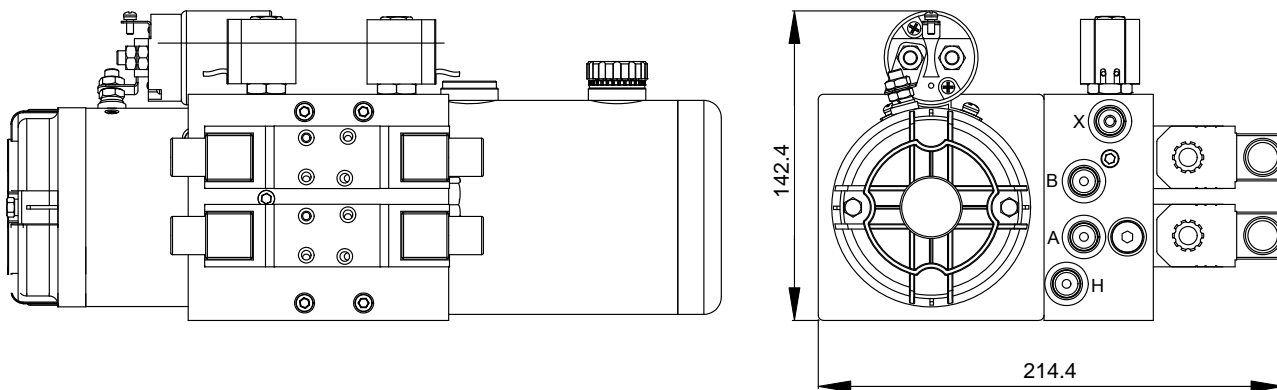
- Rated Input Power: 2000W
- Rated Voltage: DC 12 or 24V
- Gear Pump Disp. : 1.3-4.2ml/Rev
- Flow Rate: 4.2-10.5LPM(1.1-2.8GPM)
- Maximum Operating Pressure: 300Bar (4350PSI)

常用油路 (更多油路选择请参看第35-37页或咨询我司)

Typical Circuits (for more circuit options, please refer to page 35-37 or consult us)



典型外形尺寸 Typical Outline Dimension

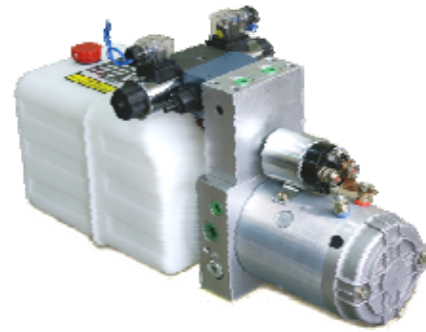


25D

直流液压动力单元 DC Hydraulic Power Unit

常用配置 Typical configuration

齿轮泵排量 Pump Displacement	(ml/rev)	1.6ml	2.1ml	2.7ml	3.2ml	4.2ml
额定流量 Flow Rate @100Bar (1500psi)	LPM	5.44	6.3	7.14	8.16	9.9
	GPM	1.44	1.67	1.89	2.16	2.62
最大工作压力 Max. Operating Pressure	BAR	200	170	150	130	110
	PSI	3000	2500	2200	1900	1600



示例图片
Example Picture
25D45-002

特性：

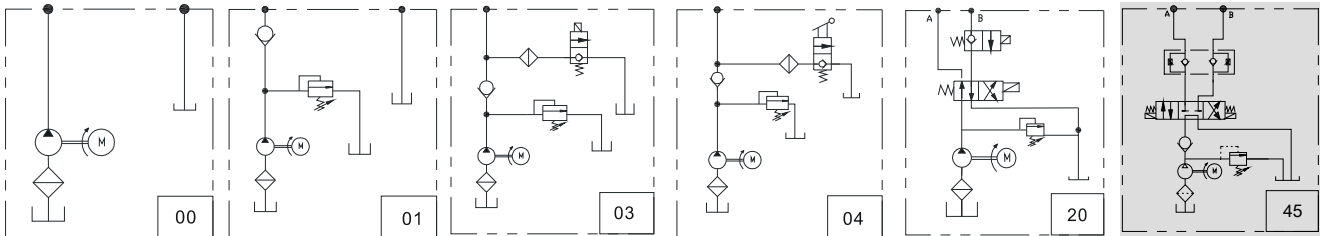
- 额定输入功率: 2500W
- 额定电压: DC 12 or 24V
- 齿轮泵排量范围: 1.6-4.3ml/Rev
- 额定流量范围: 5.3-10LPM(1.4-2.6GPM)
- 最大额定工作压力: 200Bar (3000PSI)

Specifications :

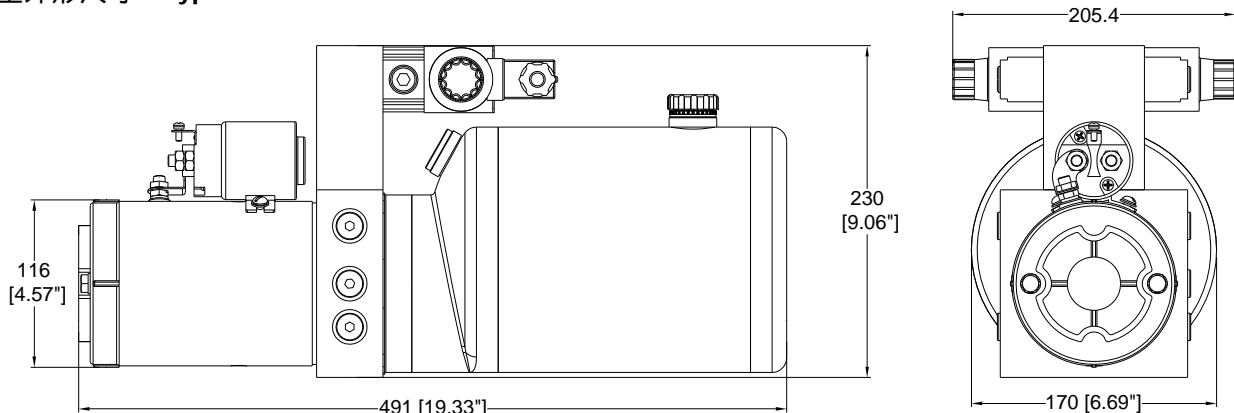
- Rated Input Power: 2500W
- Rated Voltage: DC 12 or 24V
- Gear Pump Disp. : 1.6-4.3ml/Rev
- Flow Rate: 5.3-10LPM(1.4-2.6GPM)
- Maximum Operating Pressure: 200Bar (3000PSI)

常用油路 (更多油路选择请参看第35-37页或咨询我司)

Typical Circuits (for more circuit options, please refer to page 35-37 or consult us)



典型外形尺寸 Typical Outline Dimension



30D

直流液压动力单元 DC Hydraulic Power Unit

常用配置 Typical configuration

齿轮泵排量 Pump Displacement	(ml/rev)	1.6ml	2.1ml	2.7ml	3.2ml	4.2ml
额定流量 Flow Rate @100Bar (1500psi)	LPM	5.44	6.3	7.14	8.16	9.9
	GPM	1.44	1.67	1.89	2.16	2.62
最大工作压力 Max. Operating Pressure	BAR	240	200	180	160	130
	PSI	3500	3000	2600	2300	1900



Example
P/N: 30D03-002

特性：

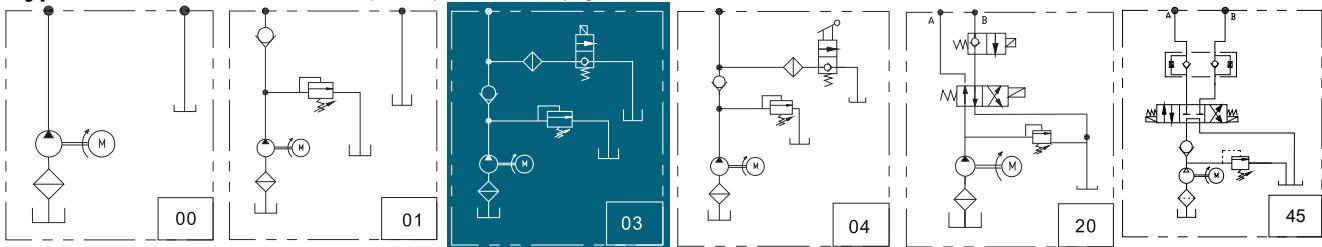
- 额定输入功率: 3000W
- 额定电压: DC 12 or 24V
- 齿轮泵排量范围: 1.3-3.3ml/Rev
- 额定流量范围: 5.8-11.5LPM(1.5-3.0GPM)
- 最大额定工作压力: 300Bar (4350PSI)

Specifications :

- Rated Input Power: 3000W
- Rated Voltage: DC 12 or 24V
- Gear Pump Disp. : 1.3-3.3ml/Rev
- Flow Rate: 5.8-11.5LPM(1.5-3.0GPM)
- Maximum Operating Pressure: 300Bar (4350PSI)

常用油路 (更多油路选择请参看第35-37页或咨询我)

Typical Circuits (for more circuit options, please refer to page 35-37 or consult us)



典型外形尺寸 Typical Outline Dimension

