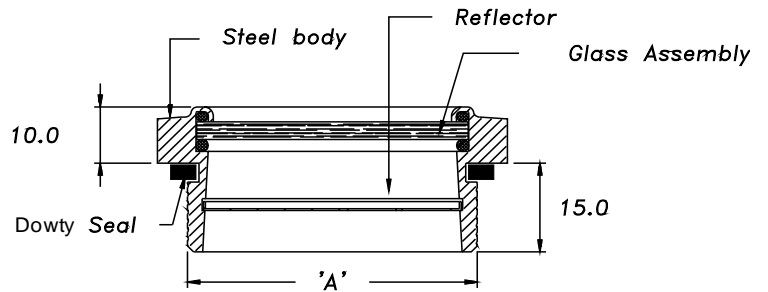
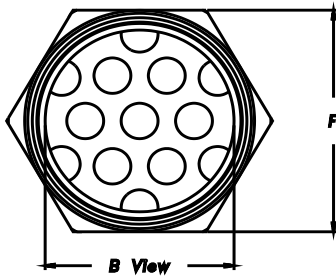


Tank Accessories

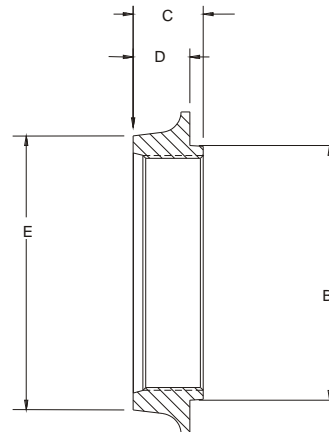
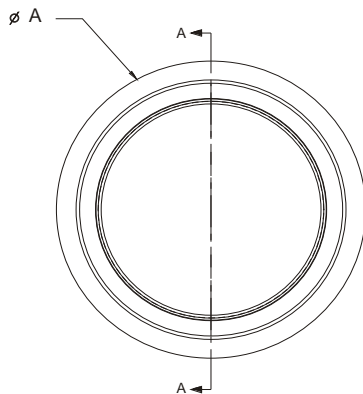
Sight Gauges

Part Number	Size A	Material	B	F	Picture
SG38	3/8 BSPP	Steel	10	22	
SG12	1/2 BSPP		14	25	
SG34	3/4 BSPP		20	32	
SG1	1" BSPP		24	38	
SG114	1-1/4 BSPP		33	44	
SG112	1-1/2 BSPP		39	55	



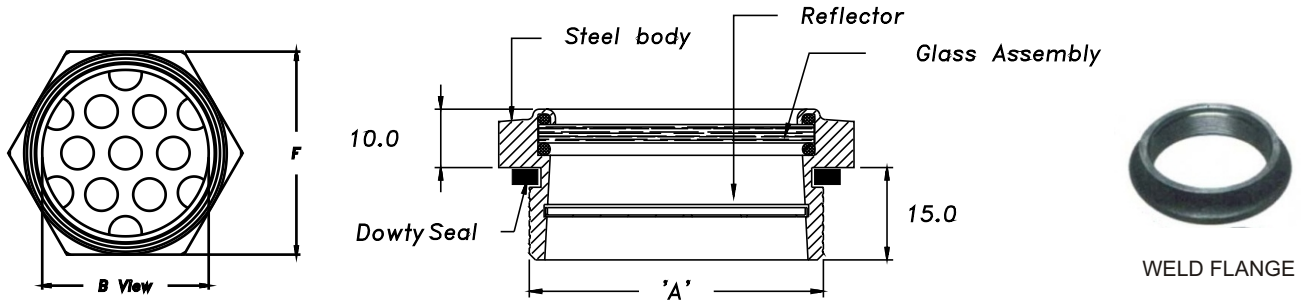
Sight Gauge Weld Flanges

Part Number	Material	A	B	C	D	E	Picture
SGWN38	Steel	38.10	23.62	14.22	7.87	25.40	
SGWN12		54.10	35.05	17.52	11.17	36.57	
SGWN34		54.10	35.05	17.52	11.17	36.57	
SGWN1		60.45	42.16	19.05	12.70	44.45	
SGWN114		68.32	50.80	19.05	12.70	54.10	
SGWN112		76.20	57.15	21.74	19.05	60.45	



SIGHT GLASS - SGS / SGA

- SHOCK RESISTANT
- BODY - STEEL / ALUMINIUM
- OPERATING TEMP. 80 deg C
- BUNA - N SEAL / DOWTY SEAL
- FOR USE WITH MINERAL , & PETROLEUM BASED FLUIDS
- ANY CONTACT WITH ALCOHOL OR SOLVENTS MUST BE AVOIDED
- BSPP THREAD STANDARD (OPTIONAL NPT / UNF CONSULT FACTORY)



PART NO	A	B	F	* WELD FLANGE TO SUIT
SGS-03B	3 / 8 In BSPP	10	22	TWF.03B
SGS-04B	1 / 2 In BSPP	14	25	TWF.04B
SGS-06B	3 / 4 In BSPP	20	32	TWF.06B
SGS-08B	1 In BSPP	24	38	TWF.08B
SGS-10B	1-1 / 4 In BSPP	33	44	TWF.10B
SGS-12B	1-1 / 2 In BSPP	39	55	TWF.12B

MODEL CODE

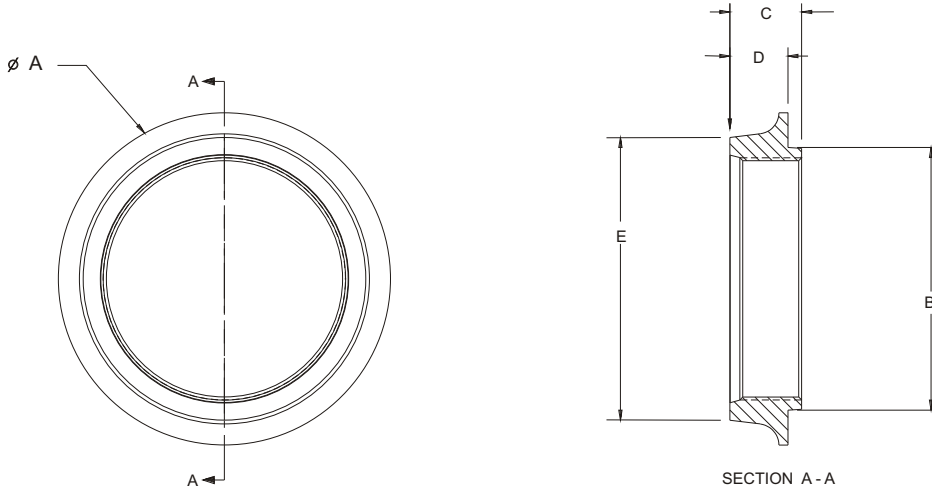
SG*	- 03*	- B	- **
SERIES	SIZE	THREAD	SPECIAL FEATURE
S - STEEL	03 - 3 / 8 In 04 - 1 / 2 In 06 - 3 / 4 In	B - BSPP	REFLECTOR - STD
A - ALUMINIUM	08 - 1 In 10 - 1-1 / 4 In 12 - 1-1 / 2 In	N - NPT	

DIMENSIONS IN MM FOR REFERENCE ONLY

WELD FLANGES - TWF



- STEEL CONSTRUCTION (Optional SS Available)
- BLACK PHOSPHATE FINISH (SUITABLE FOR WELDING)
- FLANGED DESIGN MINIMISES WARPAGE



MODEL	PORT	A	B	C	D	E
TWF - 03 B	3 / 8"BSPP	1.50 " 38.10 mm	.93 " 23.62 mm	.56 " 14.22 mm	.31 " 7.87 mm	1.0 " 25.40 mm
TWF - 04 B	1 / 2"BSPP	2.13 " 54.10 mm	1.38 " 35.05 mm	.69 " 17.52 mm	.44 " 11.17 mm	1.44 " 36.57 mm
TWF - 06 B	3 / 4"BSPP	2.13 " 54.10 mm	1.38 " 35.05 mm	.69 " 17.52 mm	.44 " 11.17 mm	1.44 " 36.57 mm
TWF - 08 B	1" BSPP	2.38 " 60.45 mm	1.66 " 42.16 mm	.75 " 19.05 mm	.50 " 12.70 mm	1.75 " 44.45 mm
TWF - 10 B	1 - 1 / 4" BSPP	2.69 " 68.32 mm	2.00 " 50.80 mm	.75 " 19.05 mm	.50 " 12.70 mm	2.13 " 54.10 mm
TWF - 12 B	1 - 1 / 2" BSPP	3.00 " 76.20 mm	2.25 " 57.15 mm	.75 " 19.05 mm	.75 " 19.05 mm	2.38 " 60.45 mm
TWF - 16 B	2" - BSPP	3.50 " 88.90 mm	2.63 " 66.80 mm	.86 " 21.74 mm	.60 " 15.34 mm	2.88 " 73.15 mm
TWF - 24 B	3" - BSPP	4.63 " 117.60 mm	3.66 " 92.96 mm	1.00 " 25.40 mm	.81 " 20.57 mm	3.94 " 100.07 mm

MODEL CODE

T W F	- **	- *	- **
SERIES	SIZE	B- BSPP THREAD N- NPT THREAD	MS - Standard SS - Optional (OMIT IF STD)

* FOR OPTIONAL THREADS CONSULT FACTORY